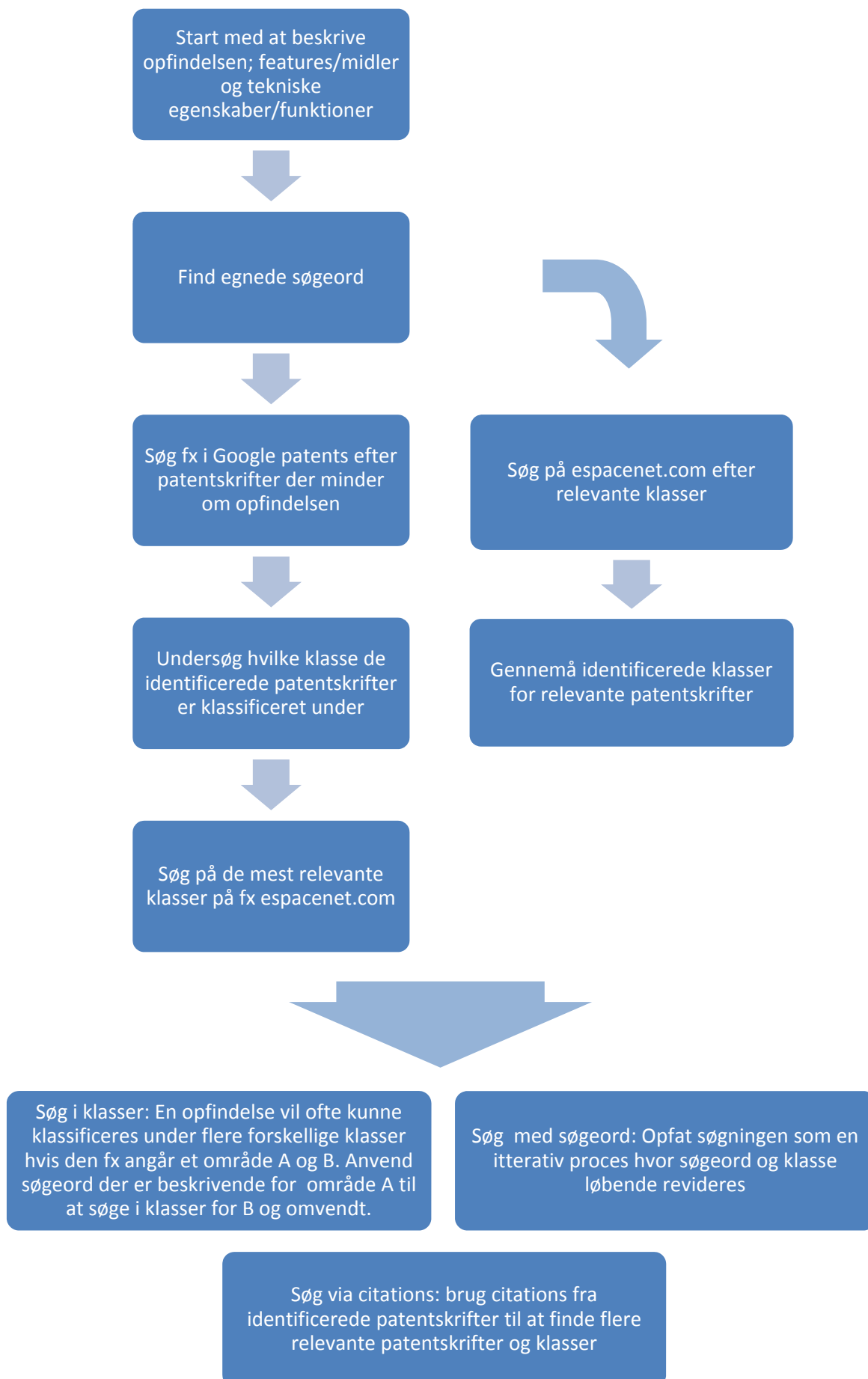


Nyhedsundersøgelse - tips og tricks



Patentet er klassificeret under følgende klasser

INTERNATIONAL APPLICATION PUBLISHED UNDER THE PATENT COOPERATION TREATY (PCT)

Intellectual Property Organization
International Bureau



(43) International Publication Date
18 May 2006 (18.05.2006)

PCT

(10) International Publication Number
WO 2006/050900 A1

- (51) International Patent Classification:
A47J 43/046 (2006.01) A47J 36/24 (2006.01)
A47J 27/00 (2006.01)
- (21) International Application Number:
PCT/EP2005/011921
- (22) International Filing Date:
8 November 2005 (08.11.2005)
- (25) Filing Language: English
- (26) Publication Language: English
- (30) Priority Data:
04026939.1 12 November 2004 (12.11.2004) EP
- (71) Applicant (for all designated States except US): NESTEC S.A. [CH/CH]; Av. Nestlé 55, CH-1800 Vevey (CH).
- (72) Inventors; and
- (75) Inventors/Applicants (for US only): BOUSSEMART, Christophe [FR/FR]; 9, route de Champ Poirier, F-74500 Lugin (FR). YOAKIM, Alfred [CH/CH]; 2, ch. de la Routiaz, CH-1806 St-Légier-La-Chiésaz (CH).

CHIARELLA, Francesco [US/US]; 21222 Emilie Lane, Pleasant Valley, NY 12569 (US).

(74) Agent: BORNE, Patrice; Av. Nestlé 55, CH-1800 Vevey (CH).

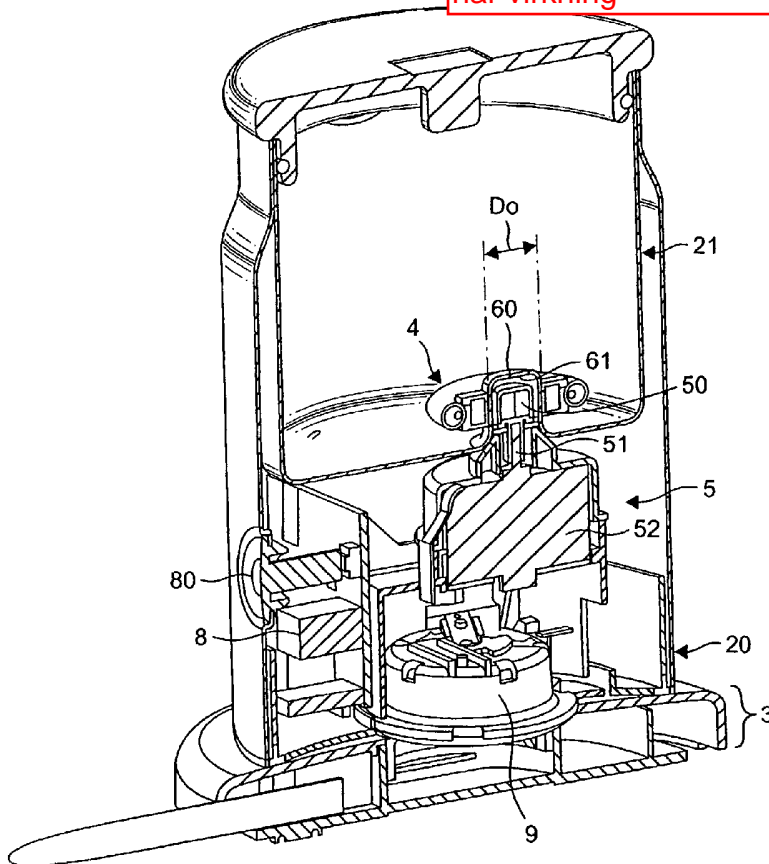
(81) Designated States (unless otherwise indicated, for every kind of national protection available): AE, AG, AL, AM, AT, AU, AZ, BA, BB, BG, BR, BW, BY, BZ, CA, CH, CN, CO, CR, CU, CZ, DE, DK, DM, DZ, EC, EE, EG, ES, FI, GB, GD, GE, GH, GM, HR, HU, ID, IL, IN, IS, JP, KE, KG, KM, KN, KP, KR, KZ, LC, LK, LR, LS, LT, LU, LV, LY, MA, MD, MG, MK, MN, MW, MX, MZ, NA, NG, NI, NO, NZ, OM, PG, PH, PL, PT, RO, RU, SC, SD, SE, SG, SK, SL, SM, SY, TJ, TM, TN, TR, TT, TZ, UA, UG, US, UZ, VC, VN, YU, ZA, ZM, ZW.

(84) Designated States (unless otherwise indicated, for every kind of regional protection available): ARIPO (BW, GH, GM, KE, LS, MW, MZ, NA, SD, SL, SZ, TZ, UG, ZM, ZW), Eurasian (AM, AZ, BY, KG, KZ, MD, RU, TJ, TM), European (AT, BE, BG, CH, CY, CZ, DE, DK, EE, ES, FI, FR, GB, GR, HU, IE, IS, IT, LT, LU, LV, MC, NL, PL, PT,

[Continued on next page]

(54) Title: APPLIANCE AND METHOD FOR PREPARING A FROTH FROM A FOOD LIQUID

Dato hvorfra patentet har virkning



(57) Abstract: Appliance for preparing a froth from a milk-based liquid which comprises a tank (21) for receiving the liquid that is to be frothed, in which liquid a rotatable stirrer (4) is positioned, a stand (20) associated with the tank, a system (5) for driving the stirrer. The stirrer drive system and the stirrer (4, 5) comprise magnetic elements allowing the stirrer to be rotationally driven magnetically in the tank (21). Disturbance means (4, 5, 6) are also provided to break or prevent symmetric circulation of the liquid about the median vertical axis (I) of the tank.

WO 2006/050900 A1

Screen dump fra espacenet.com

European Patent Office

Home | Contact

English Deutsch Français

Help index ?

Quick Search

Advanced Search

Number Search

Last result list

My patents list **1**

Classification Search

Get assistance

Quick Help

- » Why are some tabs deactivated for certain documents?
- » Why does a list of documents with the heading "Also published as" sometimes appear, and what are these documents?
- » What does A1, A2, A3 and B stand for after an EP publication number in the "Also published as" list?
- » What is a cited document?
- » What are citing documents?
- » What information will I find if I click on the link "View all"?
- » What information will I find if I click on the link "View document in the European Register"?
- » Why do I sometimes find the abstract of a corresponding document?
- » Why isn't the abstract available for XP documents?
- » What is a mosaic?

In my patents list | Print

APPLIANCE AND METHOD FOR PREPARING A FROTH FROM A FOOD LIQUID

Bibliographic data

Description

Claims

Mosaics

Original document

INPADOC legal status

Publication number: EP1827188 (A1)

Publication date: 2007-09-05

Inventor(s): BOUSSEMARY CHRISTOPHE [FR]; YOAKIM ALFRED [CH]; CHIARELLA FRANCESCO [US] +

Applicant(s): NESTEC SA [CH] +

Classification:

- international: A47J43/046; A47J27/00; A47J36/24; A47J43/04; A47J27/00; A47J36/24

- European: A47J27/00B; A47J43/046A

Application number: EP20050804104 20051108

Priority number(s): WO2005EP11921 20051108; EP20040026939 20041112; EP20050804104 20051108

Also published as:

- EP1827188 (B1)
- DE202005021537 (U1)
- EP2000067 (A1)
- EP1972241 (A1)

Cited documents:

- US6318247 (B1)

[View all](#)

[View INPADOC patent family](#)

[View list of citing documents](#)

[View document in the European Register](#)

Links til relevante EC klasser

[Report a data error here](#)

Abstract not available for EP 1827188 (A1)

The drawing shows a cross-section of a cylindrical frothing appliance. It features a central mixing shaft with a rotor and a stator. Various components are labeled with numbers: 3 (base), 4 (rotor), 5 (stator), 8 (mixing shaft), 9 (bottom plate), 20 (outer housing), 50 (inner housing), 51 (rotor assembly), 52 (stator assembly), 60 (rotor diameter), 61 (rotor tip), and 80 (mixing shaft). A dimension 'Do' is indicated at the top.

Links til liste over citerede patenter

Data supplied from the **espacenet** database — Worldwide